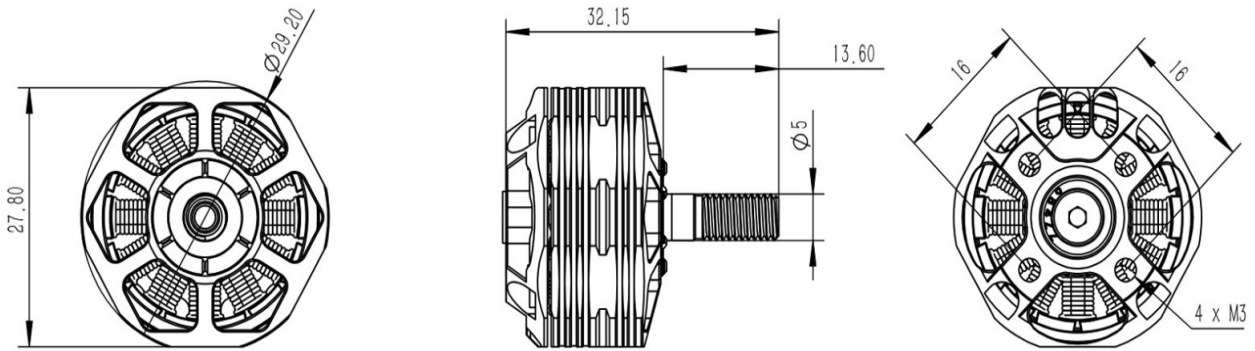
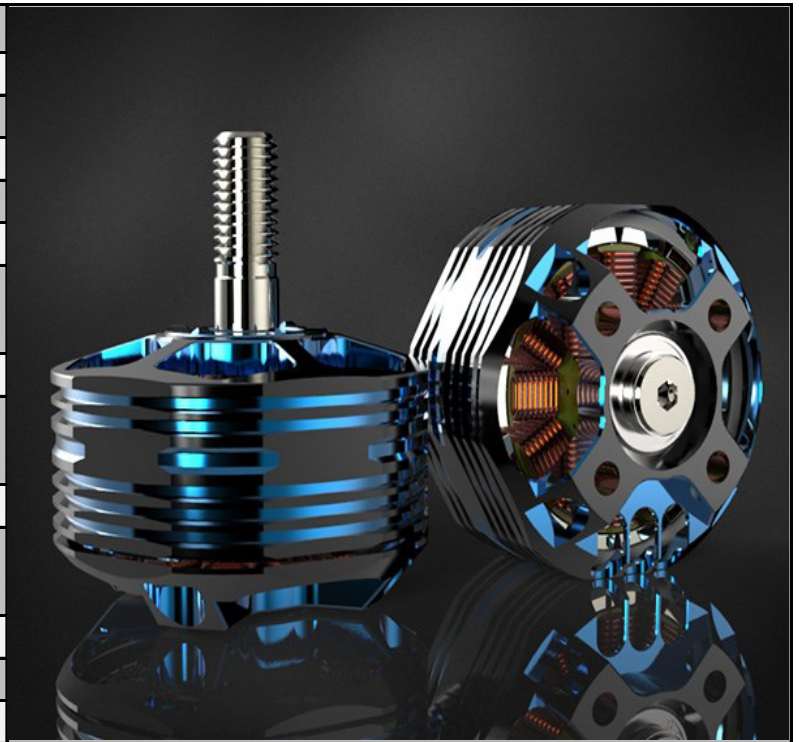


HEXA 2208 - 2700KV

Technical Datas	
KV	2700
Configu-ration	12N14P
Stator Diamter	22mm
Stator Length	8mm
Shaft Diameter	4mm(Hollow)
Motor Dimension(Dia.*Len)	Φ 29.2*32.15mm
Weight(g)	36.5 (3cm Wire)
Idle current(10)@10V(A)	2.1
No.of Cells(Lipo)	4~5S
Max Continuous Power(W)15S	1000
Internal Resistance	38mΩ
Max Current(15S)	45A
Max.Efficiency Current	(3-6A)>85%



Prop (inch)	Voltages (V)	Throttle (%)	Load Currency (A)	Pull(g)	Power(W)	Efficiency(g/W)	Temperature(in full throttle load 15's)
GF5*4*3	16	50%	8.4	703	134.4	5.231	64°C
		100%	35.1	1787	561.6	3.182	
	21	50%	10.6	932	222.6	4.187	85°C
		100%	45.5	2312	955.5	2.420	
GF5*4.5*3BN	16	50%	10.3	811	164.8	4.921	68°C
		100%	39.9	1862	638.4	2.917	
	16	50%	10.4	767	166.4	4.609	77°C
		100%	44.5	1694	712.0	2.379	
GF6*4.5	16	50%	12.1	989	193.6	5.108	80°C
		100%	46.2	2058	739.2	2.784	
	16	50%	12.1	989	193.6	5.108	80°C
		100%	46.2	2058	739.2	2.784	

■ Airplane

□ Helicopter

■ Vtol